



SEPRO HEAVY DUTY VIBRATING GRIZZLY FEEDER

KEY ADVANTAGES

- Flexible bar design
- Sloped, double or single deck arrangements
- Bolted deck liners
- 0 – 15° installation angle
- Compatible with existing Hewitt Robins™



Hewitt Robins is a registered trademark of Metso Minerals and Tata Group.

Sepro Mineral Systems Corp.
9850 201 Street, Langley, British Columbia, Canada V1M 4A3
Office: +[1] 604.888.5568 • Fax: +[1] 604.888.5521 • Toll free: +[1] 800.990.5568 North America
sepro@seprosystems.com • www.seprosystems.com

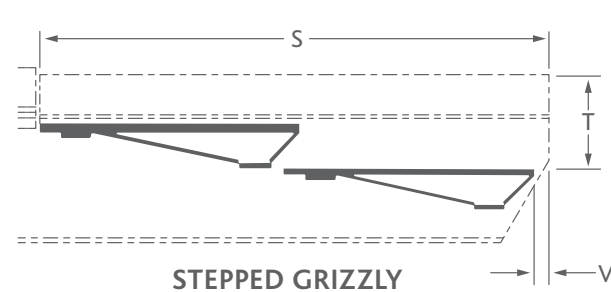
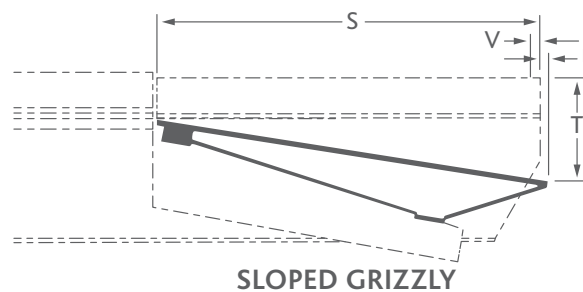
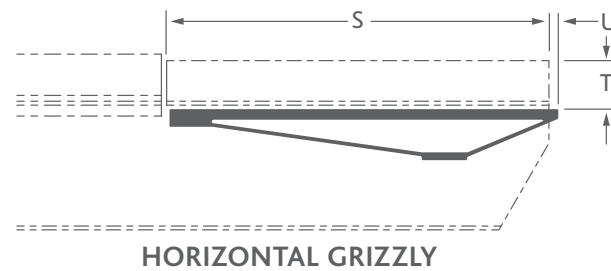
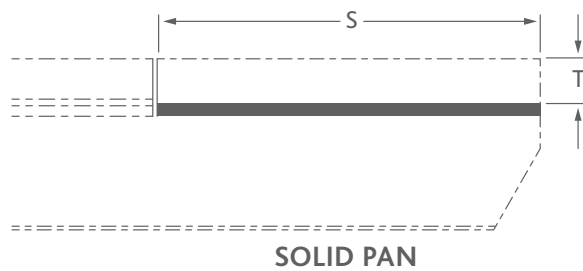
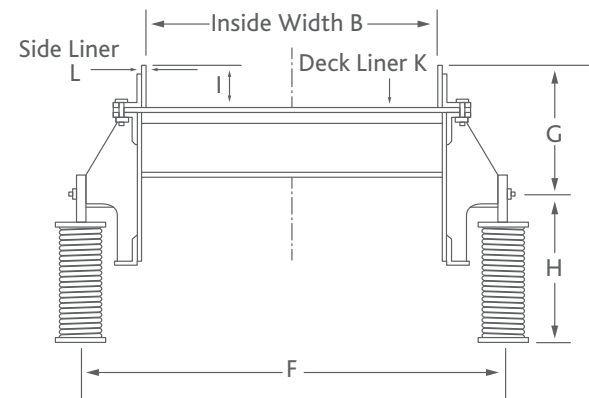
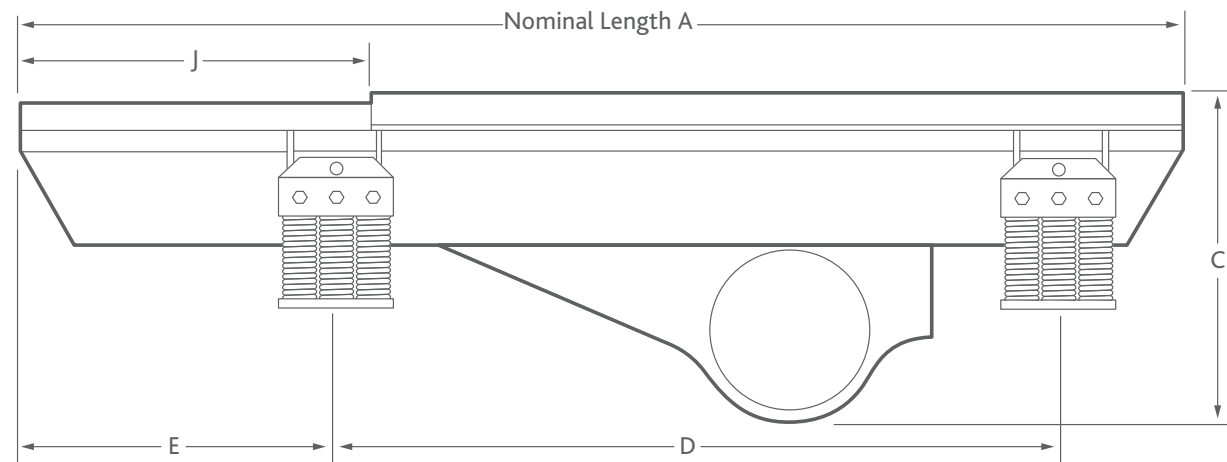
01/15/2019



SEPRO HEAVY DUTY VIBRATING GRIZZLY FEEDER

SEPRO HEAVY DUTY VIBRATING GRIZZLY FEEDER

Use Certified Prints for construction purposes



FRAME DIMENSIONS

SIZE IN x FT. (mm x mm)	VIB. MODEL	DIMENSIONS FT.-IN. (mm)												APPROX. WT. IN LBS. (kgs)	REQ'D. HP
		A	B	C	D	E	F	G	H	I	J	K	L		
40 x 14 (1016) x (4267)	VL-9	14-0 (4267)	3-3 (991)	4-6 (1372)	8-6 (2591)	3-8 (1118)	4-10 (1473)	1-9 (533)	2-0 (610)	8 1/4" (210)	4' or 6' (1219) or (1829)	1/2" AR (13)	1/2" AR (13)	9,800 (4,445)	20
40 x 16 (1016) x (4877)	VL-9	16-0 (4877)	3-3 (991)	4-6 (1372)	10-6 (3200)	3-8 (1118)	4-10 (1473)	1-9 (533)	2-0 (610)	8 1/4" (210)	4' or 6' (1219) or (1829)	1/2" AR (13)	1/2" AR (13)	11,000 (4,990)	20
46 x 14 (1168) x (4267)	VL-9	14-0 (4267)	3-9 (1143)	4-6 (1372)	8-6 (2591)	3-8 (1118)	5-4 (1626)	1-9 (533)	2-0 (610)	8 1/4" (210)	4' or 6' (1219) or (1829)	1/2" AR (13)	1/2" AR (13)	10,500 (4,763)	20
46 x 16 (1168) x (4877)	VL-9	16-0 (4877)	3-9 (1143)	4-6 (1372)	10-6 (3200)	3-8 (1118)	5-4 (1626)	1-9 (533)	2-0 (610)	8 1/4" (210)	4' or 6' (1219) or (1829)	1/2" AR (13)	1/2" AR (13)	11,800 (5,352)	30
46 x 20 (1168) x (6096)	VL-11	20-0 (6096)	3-9 (1143)	4-6 (1372)	12-9 (3886)	5-4 (1626)	5-4 (1626)	1-9 (533)	2-0 (610)	8 1/4" (210)	6' or 8' (1219) or (2438)	1/2" AR (13)	1/2" AR (13)	16,000 (7,258)	30
52 x 16 (1321) x (4877)	VL-9	16-0 (4877)	4-3 (1295)	4-6 (1372)	10-6 (3200)	3-8 (1118)	5-10 (1778)	1-9 (533)	2-0 (610)	8 1/4" (210)	4' or 6' (1219) or (1829)	3/4" AR (19)	1/2" AR (13)	14,000 (6,350)	25
52 x 20 (1321) x (6096)	VL-11	20-0 (6096)	4-3 (1295)	4-6 (1372)	12-9 (3886)	5-4 (1626)	5-10 (1778)	1-9 (533)	2-0 (610)	8 1/4" (210)	6' or 8' (1829) or (2438)	3/4" AR (19)	1/2" AR (13)	17,000 (7,711)	30
52 x 24 (1321) x (7315)	VE-13	24-0 (7315)	4-3 (1295)	5-8 (1727)	15-3 (4648)	5-4 (1626)	5-10 (1778)	1-9 (533)	2-0 (610)	8 1/4" (210)	6' or 8' (1829) or (2438)	3/4" AR (19)	1/2" AR (13)	21,100 (9,571)	40
64 x 16 (1626) x (4877)	VL-11	16-0 (4877)	5-3 (1600)	4-6 (1372)	10-6 (3200)	3-8 (1118)	6-10 (2083)	1-9 (533)	2-0 (610)	8 1/4" (210)	4' or 6' (1219) or (1829)	3/4" AR (19)	1/2" AR (13)	19,000 (8,618)	40
64 x 20 (1626) x (6096)	VE-13	20-0 (6096)	5-3 (1600)	5-8 (1727)	12-9 (3886)	5-4 (1626)	6-10 (2083)	1-9 (533)	2-0 (610)	8 1/4" (210)	6' or 8' (1829) or (2438)	3/4" AR (19)	1/2" AR (13)	23,800 (10,796)	50
64 x 24 (1626) x (7315)	VE-13	24-0 (7315)	5-3 (1600)	5-8 (1727)	15-3 (4648)	5-4 (1626)	6-10 (2083)	1-9 (533)	2-0 (610)	8 1/4" (210)	6' or 8' (1829) or (2438)	3/4" AR (19)	1/2" AR (13)	27,600 (12,519)	50
76 x 20 (1930) x (6096)	VE-13	20-0 (6096)	6-3 (1905)	5-8 (1727)	12-9 (3886)	5-4 (1626)	7-10 (2083)	1-9 (533)	2-0 (610)	8 1/4" (210)	6' or 8' (1829) or (2438)	3/4" AR (19)	1/2" AR (13)	27,200 (12,338)	60

Use certified prints for construction purposes.

OPTIONAL DISCHARGE SELECTION SPECIFICATIONS

TYPE	SECTION LENGTH S	DIMENSIONS FT.-IN. (mm)		
		T	U	V
Solid Pan	4'-0 (1219)	0-8 1/4" (210)	—	—
	6'-0 (1829)	0-8 1/4" (210)	—	—
	8'-0 (2438)	0-8 1/4" (210)	—	—
Horizontal Grizzly	4'-0 (1219)	0-8 3/4" (222)	1/2" (13)	—
	6'-0 (1829)	0-8 3/4" (222)	1/2" (13)	—
	8'-0 (2438)	0-8 3/4" (222)	1/2" (13)	—
Sloped Grizzly	4'-0 (1219)	1'-4 3/4" (425)	1/2" (13)	—
	6'-0 (1829)	1'-9 1/2" (546)	—	—
	8'-0 (2438)	2'-0 3/4" (628)	—	1/2" (13)
Stepped Grizzly	8'-0 (2438)	1'-5" (432)	—	2 1/2" (64)

Figures in parentheses are millimeters and kilograms.

